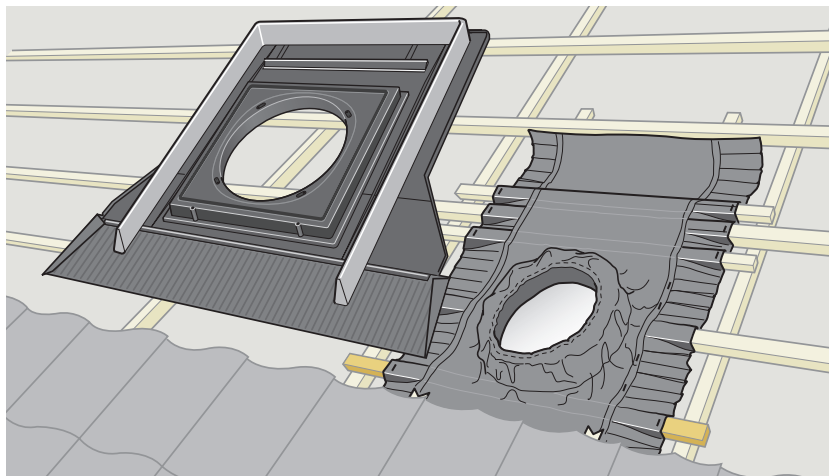
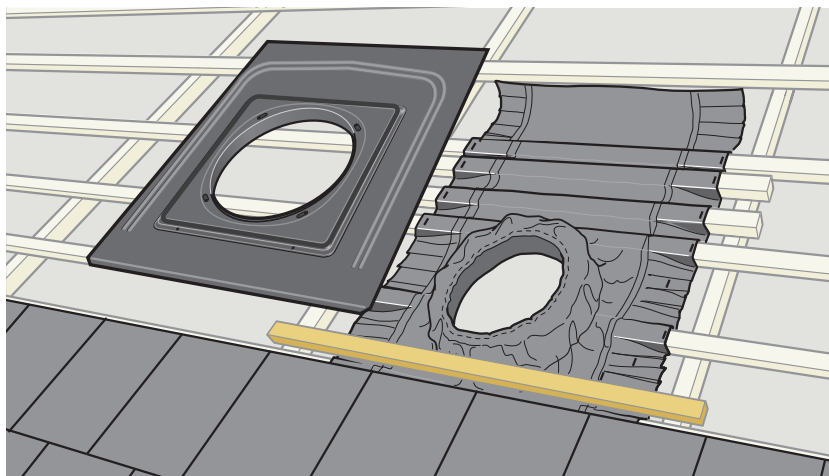


BFX



Pages
2-5

TWR
TWF

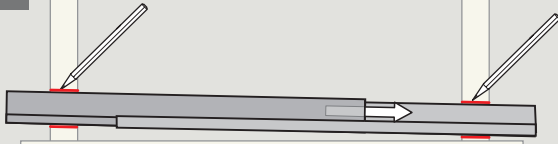


Pages
6-9

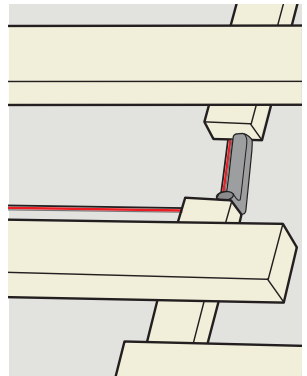
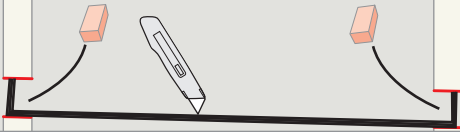
TLR
TLF

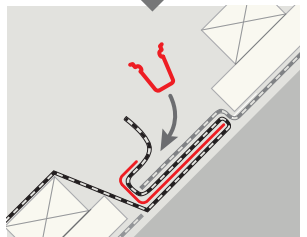
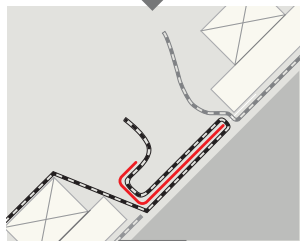
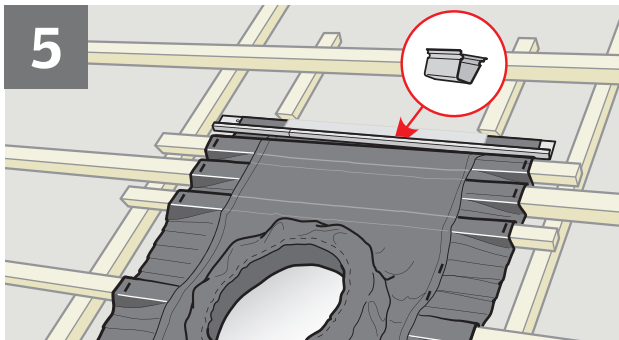
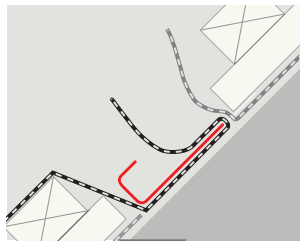
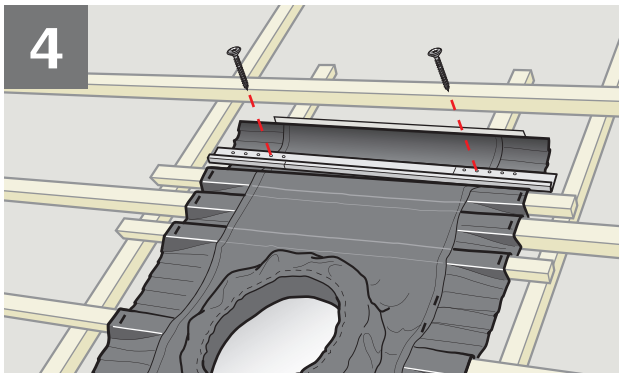
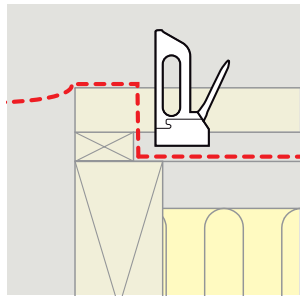
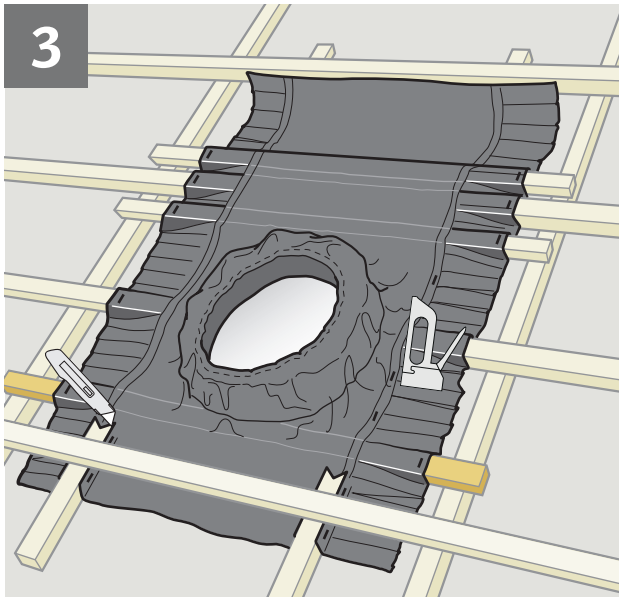


1

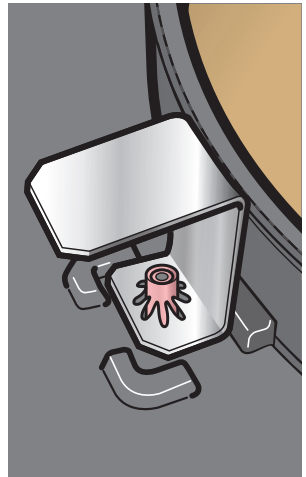
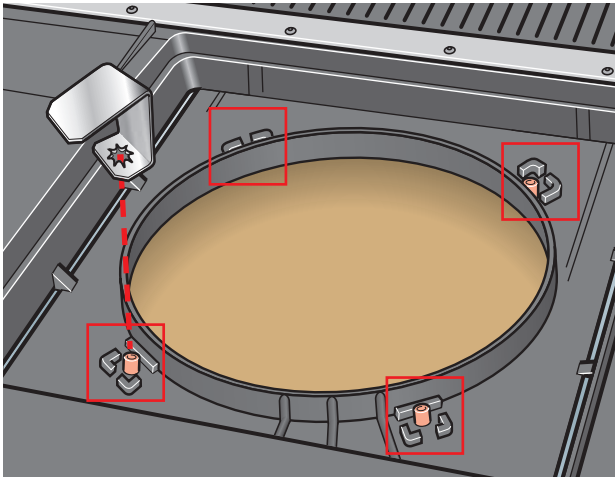
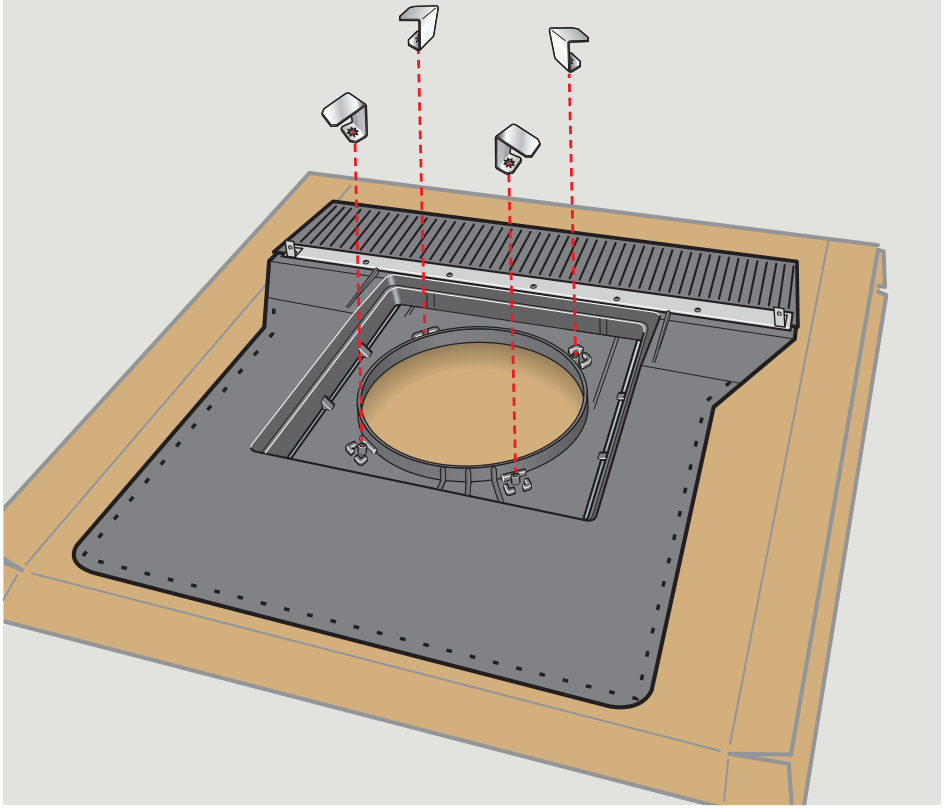


2

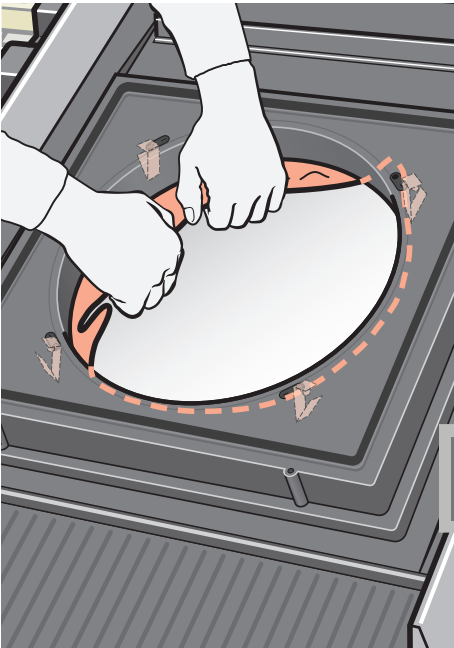
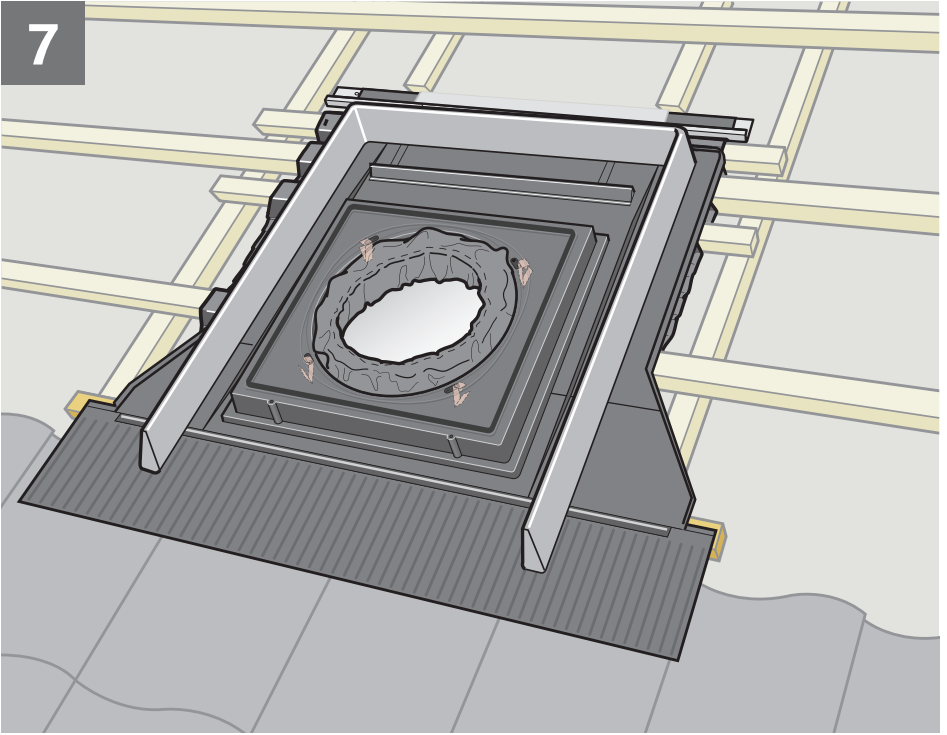




6

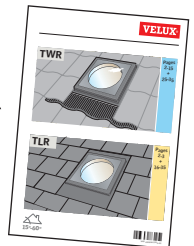


7

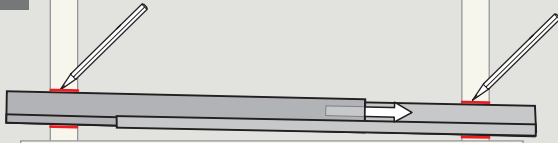


8

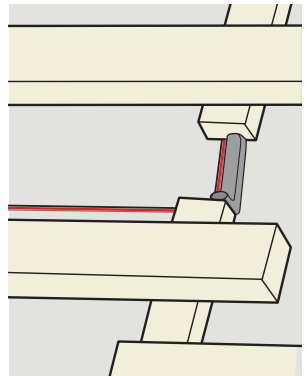
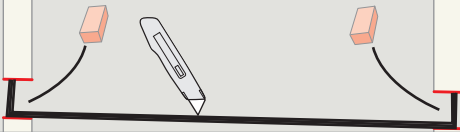
TWR
TWF

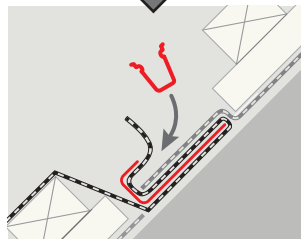
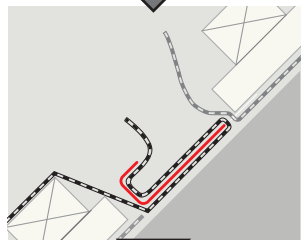
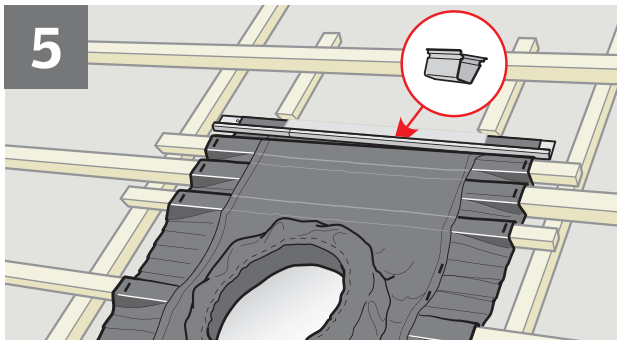
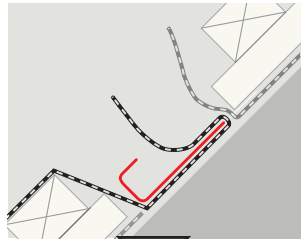
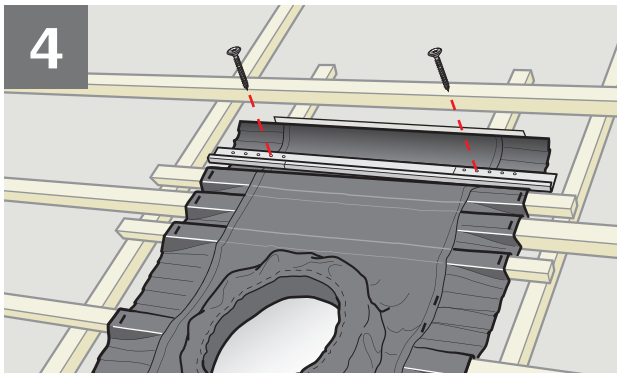
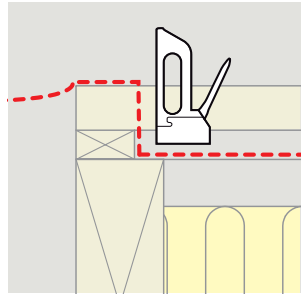
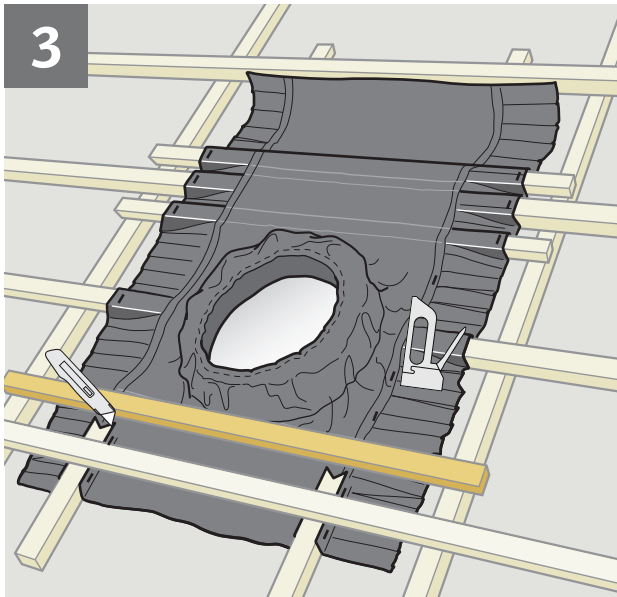


1

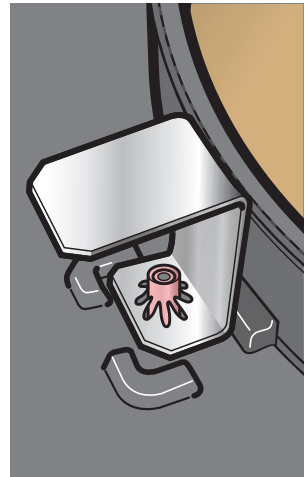
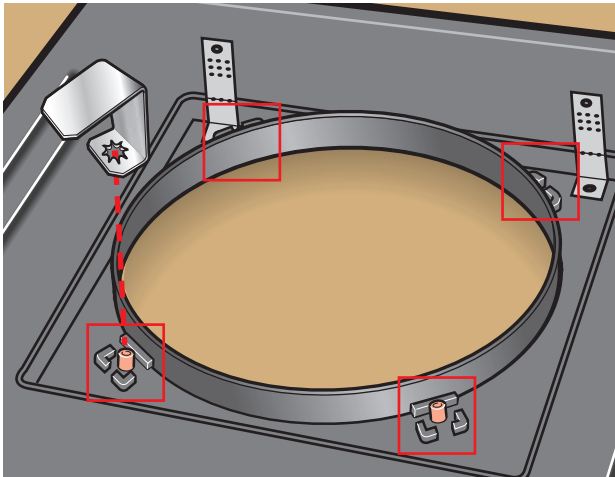
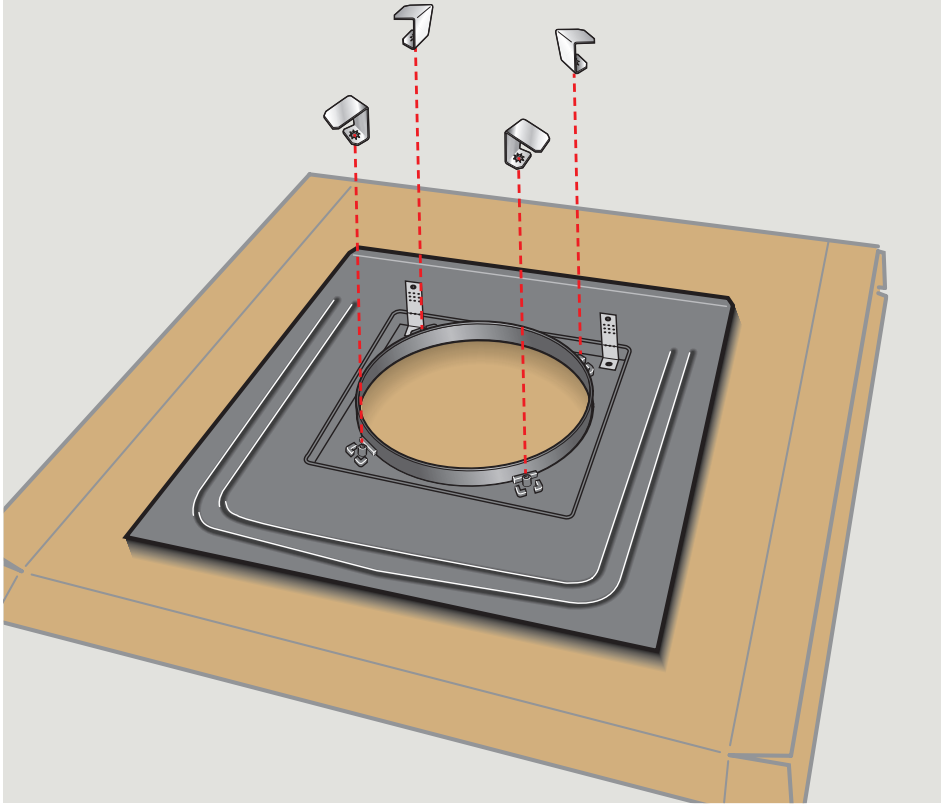


2

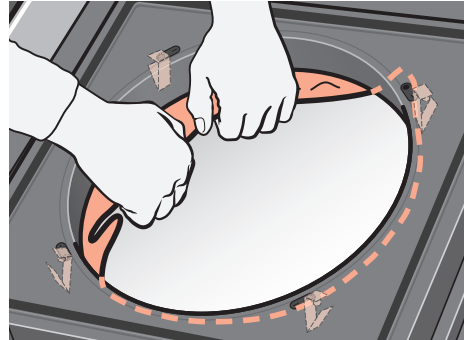
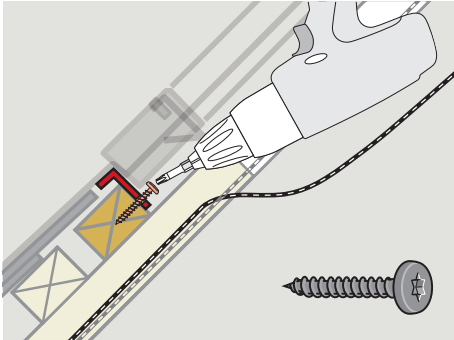
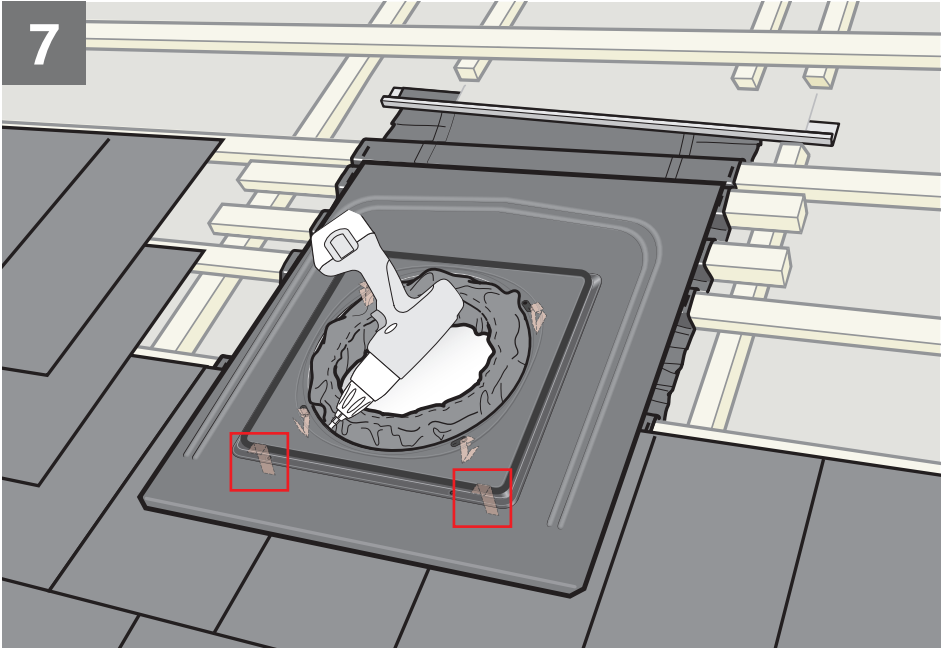




6

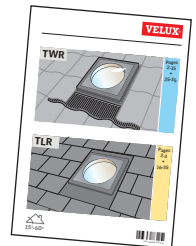


7



8

TLR
TLF





EN 13859-1:2014
Notified body: 0338

BFX

Flexible sheet for underlays for roofs

Reaction to fire:	Class E
Resistance to water penetration:	
- before artificial ageing:	Class W1
- after artificial ageing:	Class W1
Tensile strength in longitudinal direction:	
- before artificial ageing:	200 N/50 mm
- after artificial ageing:	120 N/50 mm
Tensile strength in transverse direction:	
- before artificial ageing:	200 N/50 mm
- after artificial ageing:	120 N/50 mm
Elongation in longitudinal direction:	
- before artificial ageing:	NPD
- after artificial ageing:	NPD
Elongation in transverse direction:	
- before artificial ageing:	NPD
- after artificial ageing:	NPD
Tear resistance:	
- longitudinal direction:	NPD
- transverse direction:	NPD
Flexibility at low temperature (pliability):	NPD
Artificial ageing behavior, concerning:	
- resistance to water penetration:	NPD
- tensile strength:	NPD

VELUX A/S
Ådalsvej 99
DK-2970 Hørsholm
www.velux.com/ce

AR: VELUX Argentina S.A. 348 4 639944	IE: VELUX Company Ltd. 01 848 8775
AT: VELUX Österreich GmbH 02245/32 3 50	IT: VELUX Italia s.p.a. 045/6173666
AU: VELUX Australia Pty. Ltd. 1300 859 856	JP: VELUX-Japan Ltd. 0570-00-8141
BA: VELUX Bosna i Hercegovina d.o.o. 033/626 493, 626 494	KR: VELUX International (VELUX A/S) +45 7632 9240
BE: VELUX Belgium (010) 42.09.09	LT: VELUX Lietuva, UAB (85) 270 91 01
BG: ВЕЛУКС България ЕООД 02/955 99 30	LV: VELUX Latvia SIA 67 27 77 33
BY: Унитарное предприятие "ВЕЛЮКС Мансардные Окна" (017) 329 20 89	NL: VELUX Nederland B.V. 030 - 6 629 629
CA: VELUX Canada Inc. 1 800 88-VELUX (888-3589)	NO: VELUX Norge AS 22 51 06 00
CH: VELUX Schweiz AG 062 289 44 45	NZ: VELUX New Zealand Ltd. 0800 650 445
CL: VELUX Chile SpA 2 953 6789	PL: VELUX Polska Sp. z o.o. (022) 33 77 000 / 33 77 070
CN: VELUX (CHINA) CO. LTD. 0316-607 27 27	PT: VELUX Portugal, Lda 21 880 00 60
CZ: VELUX Česká republika, s.r.o. 531 015 511	RO: VELUX România S.R.L. 0268-402740
DE: VELUX Deutschland GmbH 040 / 54 70 70	RS: VELUX Srbija d.o.o. 011 20 57 500
DK: VELUX Danmark A/S 45 16 45 16	RU: ЗАО ВЕЛЮКС (495) 640 87 20
EE: VELUX Eesti OÜ 621 7790	SE: VELUX Svenska AB 042/20 83 80
ES: VELUX Spain, S.A.U. 91 509 71 00	SI: VELUX Slovenija d.o.o. 01 724 68 68
FI: VELUX Suomi Oy 0207 290 800	SK: VELUX Slovensko, s.r.o. (02) 33 000 555
FR: VELUX France 0806 80 15 15 Service gratuit + prix appel	TR: VELUX Çatı Pencereleri Ticaret Limited Şirketi 0 216 302 54 10
GB: VELUX Company Ltd. 01592 778 225	UA: ТОВ "ВЕЛЮКС Україна" (044) 2916070
HR: VELUX Hrvatska d.o.o. 01/5555 444	US: VELUX America LLC 1-800-88-VELUX
HU: VELUX Magyarország Kft. (06/1) 436-0601	

www.velux.com